

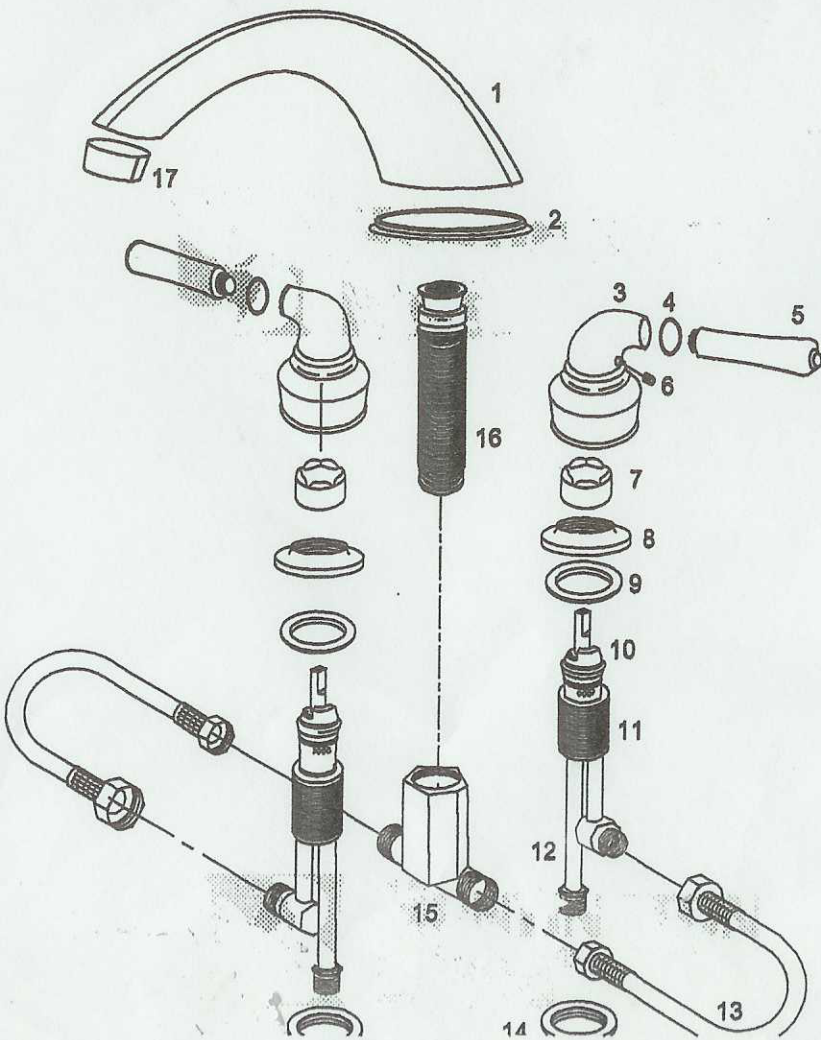
DECOR BRASS

190 - 2188 #5 Road Richmond, B.C.

Phone: 604 278 - 2217 Fax: 604 278 - 3599

**INSTALLATION
INSTRUCTION****C 9408****Roman Tub Filler
w/ Ceramic Disc Cartridge**

This faucet DOES NOT INCLUDE additional tubings and/or fittings which might be necessary to complete this job. Use Teflon tape or pipe compound on all water connections. To ensure that your installation proceeds smoothly please read these instruction carefully before you begin.

**COMPONENT PARTS LIST**

NO.	PART NAME	HB PART NO.	QTY.
1	Solid Brass Spout		1
2	Spout Flange		1
3	Handle		2
4	Hot/Cold rubber ring		2
5	Handle Tip		2
6	Set Screw		2
7	Cap		2
8	Escutcheon		2
9	Rubber Washer		2
10	Ceramic Disc Cartridge		2
11	Valve Body		2
12	Water Supply Line		2
13	Connecting Hose		2
14	Coupling Nut		2
15	T Connector		1
16	Brass Nipple		1
17	Aerator		1

